



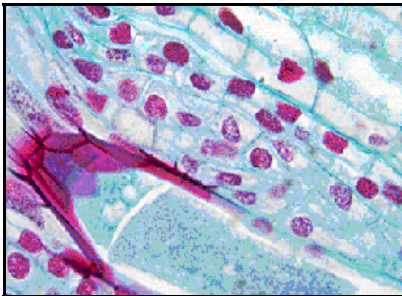
11 Megapixel CCD USB 2.0 Camera
 Large Format High Resolution Digital CCD
 Microscopy Camera for Quantitative Image Analysis

**Now includes
 INFINITY ANALYZE Software!**

Outline

Ultra-high resolution and low-light performance!

Lumenera's INFINITY4-11 digital CCD camera is based on the Kodak KAI-11002 10.7 megapixel sensor. Matching the field of view of a 35mm camera with a 43.3mm diagonal, this camera offers 2 frames per second at full 4008 x 2672 resolution and on-board processing. The INFINITY4-11 boasts superior colour reproduction, making it ideal for high-end scientific, industrial, medical, ophthalmic and life science applications.



Live video preview provides for real-time focus while auto exposure and auto white balance efficiently capture your optimal image. To produce high quality images combine the INFINITY4-11 with Lumenera's INFINITY ANALYZE – an advanced image capture and processing software package, or fully integrate with other third-party imaging applications through our TWAIN drivers.

The USB 2.0 digital interface ensures a simple plug and play installation. No framegrabber required.

The INFINITY4-11 camera is supported by an experienced team of technical support and imaging experts. We understand your imaging needs and are here to help you get the most out of your camera.

Performance Features

- Large Format 10.7 megapixel CCD sensor
- Excellent sensitivity with high fidelity color reproduction
- Progressive scan electronic shutter
- High-speed USB 2.0 interface eliminates a framegrabber and facilitates ease of installation on both laptop and desktop computers
- Ideal for the most demanding brightfield and darkfield microscopy applications, including clinical pathology and cytology, histology, life science and geology
- Full color sub-windowing allows for rapid focus and scanning of samples: 2 fps at full 4008X2672 resolution, 60 fps with binning and reduced preview resolution
- Selectable 8 and 12-bit pixel data modes
- Mac compatible
- The RGB data captured through each pixel contains 36-bits of color image information resulting in 4096 intensity values
- Obtain high quality images when combined with INFINITY ANALYZE - an advanced image capture and processing software package
- The INFINITY4-11 has a compact design equipped with an F-Mount, facilitating installation on all microscope configurations including upright, inverted and stereo (with coupler)
- INFINITY4-11 cameras are software compatible with Windows™ 98 SE, Windows ME, Windows 2K, Windows XP, Windows Vista and Mac OS 10.4 operating systems
- Full one (1) year warranty

Specifications

INFINITY 4-11

Camera Sensor

Image Sensor	35mm large format Interline Kodak KAI11002 10.7 megapixel color or monochrome progressive scan CCD sensor
Effective Pixels	4008x2672, 9µm square pixels
Frame Rate	2 fps at full resolution, higher fps with binning and ROI
Dynamic Range	66dB
Digital Output	8 and 12-bit
Readout Frequency	22.5 MHZ

Camera Controls

Dimensions (W x H x D)	3.50 x 3.85 x 4.09"
Mass	~900g
Power Requirement	External 12VDC – 2A
Power Consumption	~12Watts
Operating Temperature	0° C to +50° C
Operating Humidity	5%-95%, Non-condensing
Integration Time	1/1000 to 16 sec.
Shutter	Progressive Scan
ROI	User Selectable through mouse click and drag
Auto Exposure	Automatic / Manual
White Balance	Automatic / Manual
Gain	Programmable / 1 to 10x optimizable
Interface Connector	Standard USB 2.0 high-speed interface
Lens Mount	F-Mount lens adapter
Binning Options	2x2, 3x3, 4x4

Recommended PC Specs:

- Pentium 4, 1.3GHz or higher
- 512 MB RAM
- 60 MB hard drive free space or more
- USB 2.0 Port
- Windows 2000, XP, Vista and Mac OS 10.4
- Quick Time V7

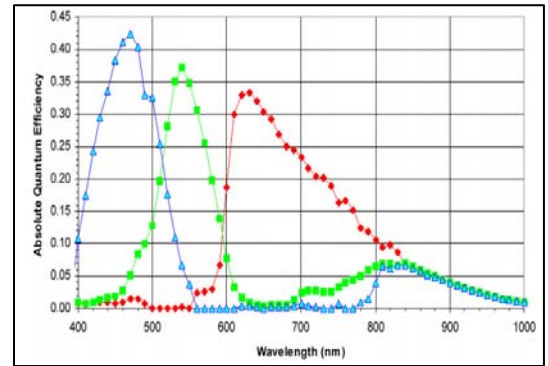
Minimum PC Specs:

- 600MHz Processor
- 256 MB of SDRAM
- 20 MB hard drive free space
- USB 2.0 Port
- Windows 98 or ME

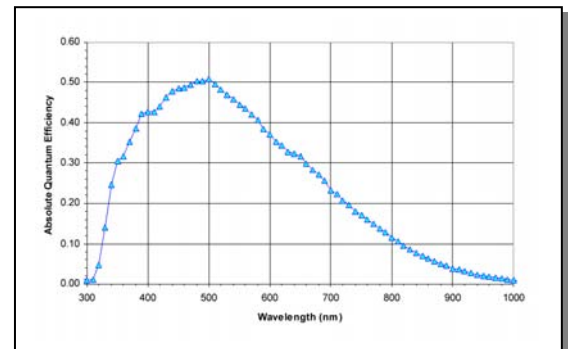
Product Includes:

- INFINITY 4-11 digital camera for USB 2.0
- CD-ROM with INFINITY user application software
- TWAIN driver
- Documentation
- USB 2.0 cable

**Full customization available
to meet your exact needs!**

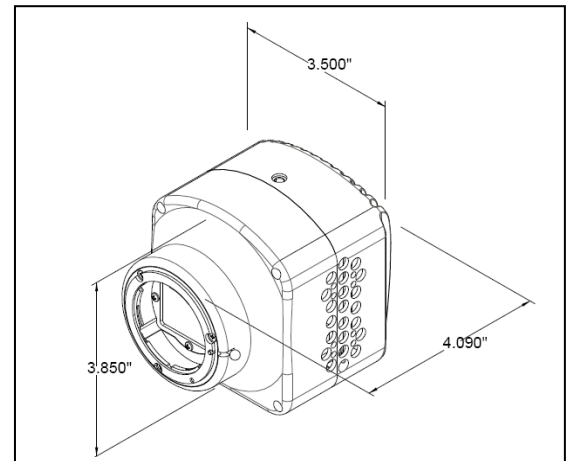


Color Response Curve



Mono Response Curve

Mechanical Drawing:



Ordering Information

INFINITY 4-11C – 11 MP CCD Color Camera

INFINITY 4-11M – 11 MP CCD Monochrome Camera