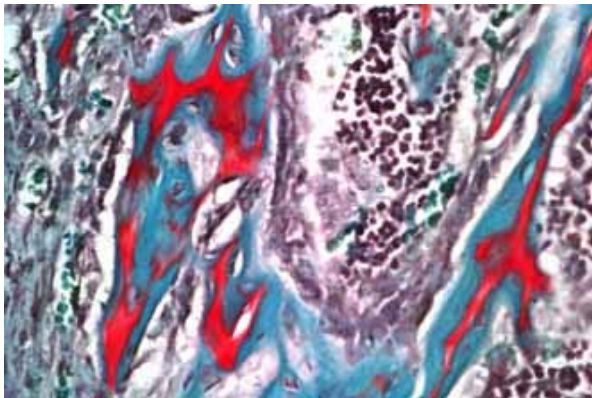




- **32 Megapixel CCD USB 2.0 Camera**
- **Sub-Pixel Detail**
- **Incredible Color Accuracy**
- **Excellent Sensitivity**

Outline

The INFINITYX-32 offers incredible flexibility in capturing images at 2, 8, 16 and 32 megapixel resolution. Using the patented DeltaVu™ technology, each CCD pixel captures full chromatic information, resulting in increased color resolution with no degradation. The INFINITYX-32 is the first pixel shifting camera to utilize the highly sensitive SONY ICX274 sensor. The relatively low cost of the INFINITYX-32 makes it an affordable tool for clinical, life and material sciences where megapixel resolution, color accuracy, and light sensitivity are essential.



Live video preview provides for real-time focus, while auto exposure and auto white balance help efficiently capture your optimal image. Software control provides exposures from 67us through to 2 seconds.

An intuitive user application provides camera control, while full integration to popular third-party imaging applications is available through our TWAIN drivers.

A USB digital interface ensures a simple plug-and-play installation – and one standard cable minimizes camera clutter. No framegrabber is required.

The INFINITYX-32 includes INFINITY ANALYZE software for advanced camera control, image processing, measurement and annotation.

Performance Features

- ❑ **32 megapixel resolution is achieved through shifting a color or monochrome sensor with a 1616X1216 pixel array**
- ❑ **Users will have the flexibility of choosing between 2, 8, 16 and 32 megapixel resolution on capture, taking full advantage of their microscope optics**
- ❑ **Highly sensitive, low noise CCD with remarkable color quality for the most demanding applications**
- ❑ **Full color sub-windowing allows for rapid focus and scanning of samples: 12 fps at full 1616X1216 resolution, 25 fps at smaller regions of interest**
- ❑ **8 / 12-bit selectable output format**
- ❑ **The RGB data captured through each pixel contains 36-bits of color image information resulting in 4096 intensity values per color**
- ❑ **Camera control through INFINITY CAPTURE, an intuitive user interface, resulting in rapid image capture, archiving and documentation for high throughput applications**
- ❑ **INFINITY ANALYZE software for advanced camera control, image processing, measurement, annotation and archiving**
- ❑ **Easy and flexible installation on your PC through a standard, high-speed USB 2.0 interface**
- ❑ **INFINITYX-32 cameras are software compatible with Windows 2K, Windows XP and Windows Vista operating systems**
- ❑ **Full one (1) year warranty**

Specifications

INFINITYX-32

Camera Sensor

Image Sensor	1/1.8" Interline Sony ICX274 2.0 megapixel color or monochrome progressive scan CCD sensor
Effective Pixels	1616 x1216, 4.4µm square pixels
Digital Output	8 and 12-bit uncompressed
Frame Rate	12 fps at 1616x1216, 25 fps at 640x480
Dark Current (e-/s)	12 e-
Dynamic Range	>66dB

Camera Controls

Integration Time	.067ms to 2 seconds
Shutter	Global Electronic Shutter
Auto Exposure	Automatic / Manual
White Balance	Automatic / Manual
Gain	Programmable / 1 to 10X
Lens Mount	Adjustable C-Mount lens adapter

Operational Specs

Dimensions (L x W x H)	3.85 x 2.00 x 2.75 inches
Mass	300g
Power Requirement	USB bus power, or external 5VDC – 2.5A
Power Consumption	~2.5Watts
Operating Temperature	0°C to +50°C
Operating Humidity	5%-95%, Non-condensing

Digital Video Resolution

1616 X 1216
1280 X 1024
808 X 608 (Binning 2x2)
640 X 480
404 X 304 (Binning 4X4) Mono
320 X 240

Digital Video Frame Rate

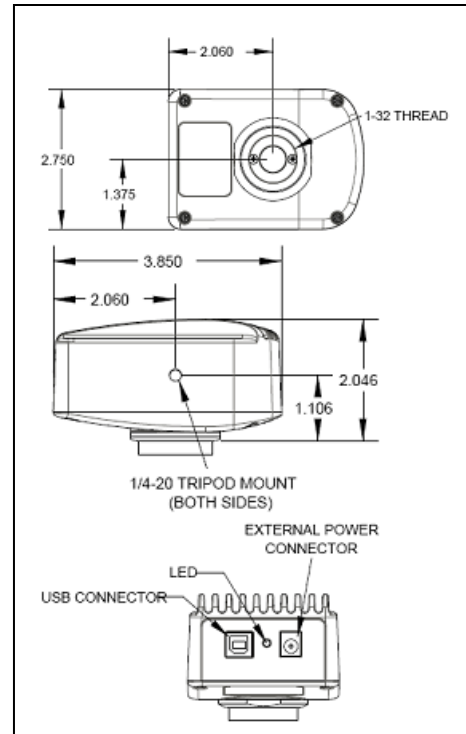
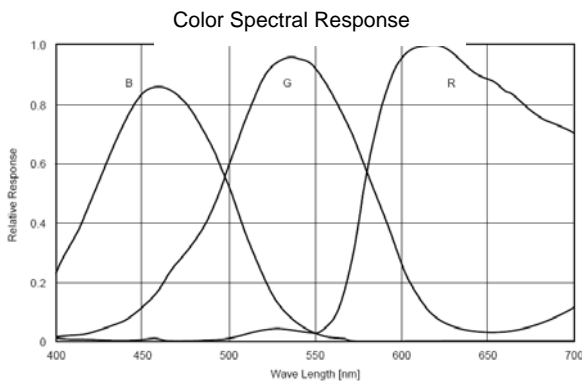
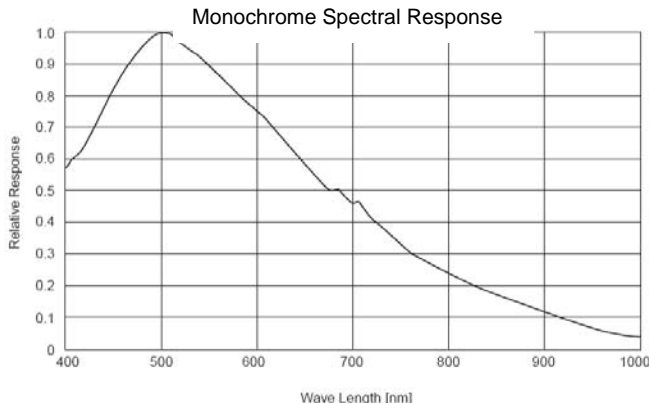
12 frames per second
14 frames per second
21 frames per second
25 frames per second
37 frames per second
39 frames per second

Digital Still Image

1616 X 1216 Demosaic / 2 Meg	24 bit RGB: 5.6 MB
3232 X 2432 / 8 Meg	24 bit RGB: 22 MB
4848 X 3648 / 16 Meg	24 bit RGB: 50 MB
6464 X 4864 / 32 Meg	24 bit RGB: 90 MB

Computer Interface

Data Interface	High-Speed USB 2.0
Cable	Standard USB 2.0
Application Interface	INFINITY ANALYZE and INFINITY CAPTURE Software
Application Support	TWAIN for 3 rd party integration



Ordering Information

INFINITYX-32C	– Color Camera
INFINITYX-32M	– Monochrome Camera
Lu8101	– Power Supply with international adaptors (included)

Recommended PC Specs:

- Pentium 4, 1.3 GHz or higher
- 512MB RAM
- +60MB hard drive free space
- USB 2.0 port
- Windows 2000, XP and Vista

Minimum PC Specs:

- 600MHz Processor
- 256 MB of SDRAM
- 20MB hard drive free space
- Windows XP or 2K

Product Includes:

- INFINITYX-32 USB 2.0 digital camera
- CD-ROM with INFINITY software
- TWAIN driver
- Documentation
- USB 2.0 cable
- Power supply with international adaptors